

# ISV US - Upfitting Template: Ford F150

Date: \_\_\_\_\_

Customer: \_\_\_\_\_

Telephone: \_\_\_\_\_

Tech: \_\_\_\_\_

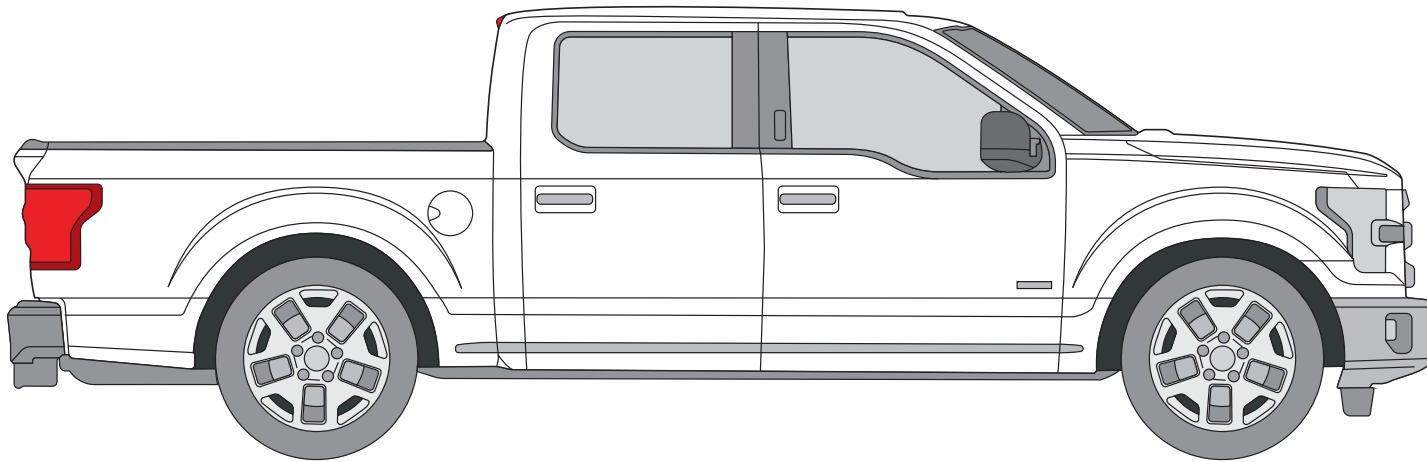
Year: \_\_\_\_\_

Make: \_\_\_\_\_

Model: \_\_\_\_\_

Dept: \_\_\_\_\_

SO#: \_\_\_\_\_



## EXTERIOR

Flashers (Front): \_\_\_\_\_

Siren: \_\_\_\_\_

Bumper: \_\_\_\_\_

Lightbar: \_\_\_\_\_

Spot Light: \_\_\_\_\_

Antennas: \_\_\_\_\_

Flashers (Rear): \_\_\_\_\_

## INTERIOR

Radios: \_\_\_\_\_

Seats: \_\_\_\_\_

Window Lighting: \_\_\_\_\_

Console: \_\_\_\_\_

Computer Stand: \_\_\_\_\_

PA System: \_\_\_\_\_

Barrier: \_\_\_\_\_

Camera: \_\_\_\_\_

Tinting: \_\_\_\_\_

Trunk Vault: \_\_\_\_\_

Other: \_\_\_\_\_

